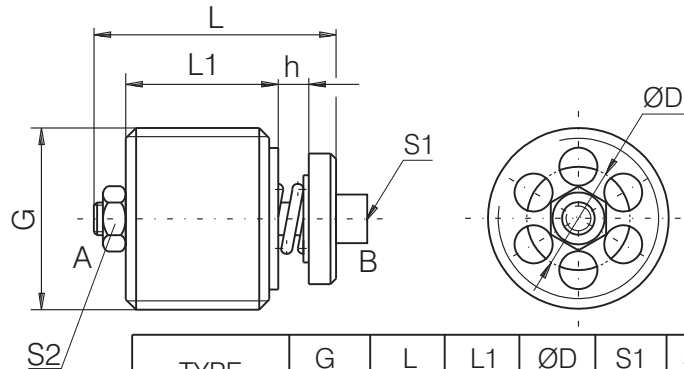
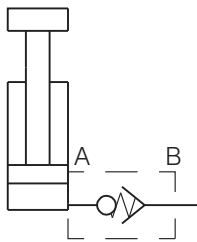


DESCRIPTION

✓ Hose burst check valves for pipe mounting-HC970...
 ✓ Hose burst check valves prevent against an uncontrollable, accelerated movement of a loaded hydraulic actuator, when the back pressure is lost (as a result of damage or rupture in the pressurized line or pipe connections).
 The valve is screwed directly into the pressurized inlet port of the hydraulic actuator.

DIMENSIONS


TYPE	G	L	L1	ØD	S1	S2
	mm					
HC970-1/4	G1/4"	25	12	8	2,5	5,5
HC970-3/8	G3/8"	28	14	9,5	2,5	5,5
HC970-1/2	G1/2"	34	16	13	3	7
HC970-3/4	G3/4"	39	22	16	3	7

APPLICATIONS

ORDERING CODE

HC	970	-	***
----	-----	---	-----

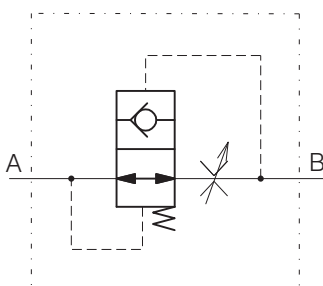
Hose burst check valve
Modification

Mounting thread: G1/4 -1/4
G3/8 -3/8
G1/2 -1/2
G3/4 -3/4

*Other available threads: (metric) on request

SYMBOL

detailed


TECHNICAL DATA

Max. Pressure	350 bar
Rated flow - see characteristics	
Working liquid-hydraulic oils with characteristics:	
-viscosity	10...400 cSt
-degree of filtration	0,025 mm
-temperature	-20...+80°C

SETTING CURVES

Measured at 50°C and 46cSt viscosity

Deviation from the flow is 10%

